



## Flatbed Semi Trailer



3 Axle Flatbed Truck Trailer



3 Axle Flatbed Semi-trailer



Airbag Suspension Flatbed Trailer



Interlink Flatbed Trailer



40ft Flatbed Trailer for Sale



Bogie Suspension Flatbed Trailer



Flatbed Trailer with Front Wall



Timber Transport Semi Trailer

### TITAN flatbed semi trailer is the best choice

#### Table of Contents

Chapter 1: TITAN Flatbed semi trailer buying guide

[1-1. TITAN flatbed semi trailer is the best choice](#)

[1-2. Application of the TITAN flatbed semi trailer](#)

[1-3. How to operate TITAN flatbed semi trailer--Loading containers with TITAN flatbed trailer](#)

[1-4. Basic Specifications of the Flatbed Trailer](#)



1-5. TITAN flatbed semi trailer package and shipping

1-6. Four kinds of common suspensions for flatbed container trailer

1-7. TITAN flatbed semi trailer feedback from Senegal customers

Chapter 2:What is a flatbed semi Trailer (20/40 ft flatbed trailer) ?

2-1. What is the a flatbed semi trailer?

2-2. What is the common types of container carrier trailers?

2-3. Shipping of container flatbed trailers and marine transportation

2-4. Flatbed semi trailer buying guide

2-5. What is the manufacturing process of container flatbed semi-trailer?

2-6. How to load and securing a shipping container on a flatbed?



## 1.TITAN flatbed semi trailer is the best choice

**TITAN flatbed trailer** is a kind of trailer whose design is suitably made to carry bulk cargo and containers between shipping facilities and terminals.By simple definition, this is a long flat platform of either 20ft, 40ft, 48ft or 53ft length.Flatbed semi trailer is usually used to transport 20ft or 40ft containers, they are mainly used for container transportation supporting ships, ports, shipping lanes, highways, transit stations, bridges, tunnels, and multimodal transport.

Through this video below, you can learn about different types of flatbed semi trailer,such as 2 axle,3 axle,4 axle, flatbed etc.As well as the process, testing, packaging and customer feedback, etc.



## TITAN three best-selling feature Flatbed semi trailer





*Tri axle flatbed semi trailer for sale*



*4 axles flatbed container trailer*





### 2 axle flatbed trailer for sale

The flatbed trailer has no roof or walls to the side. It is a bare platform on which different container sizes are secured using container locks ready for transportation. They are primarily used for the transportation of bulk cargo.



Flatbed semi trailer for sale

TITAN also have several special models to choose from, like interlink Flatbed Trailer and drawer flatbed trailer.



Special flatbed trailer for sale

## 2.Application of the TITAN flatbed semi trailer

The function of a flatbed trailer is made possible through its structure's design and manufacture. Basically, it is a transport equipment mainly of a steel construction defining its frame. It also comprises a lighting system, brakes and tires. It is carefully designed to desired heights and weight capacity to safely load and transport cargoes from one location to another. Use platform trailers to transfer cargo at the shipper's warehouse. Unloaded to the consignee's warehouse, when changing trailer or boat on the way, there is no need to take the goods out of the box and change them.

The size of the container trailer loading area is determined according to the standard container size. A twist lock device for fixing the container is provided at positions corresponding to the four corners of the bottom of the container. Flatbed trailers are a special trailers for transporting containers. And thanks for our Congo customers feedback. He transports bulk cargo by TITAN **flatbed semi trailer**.



Container carrier trailer

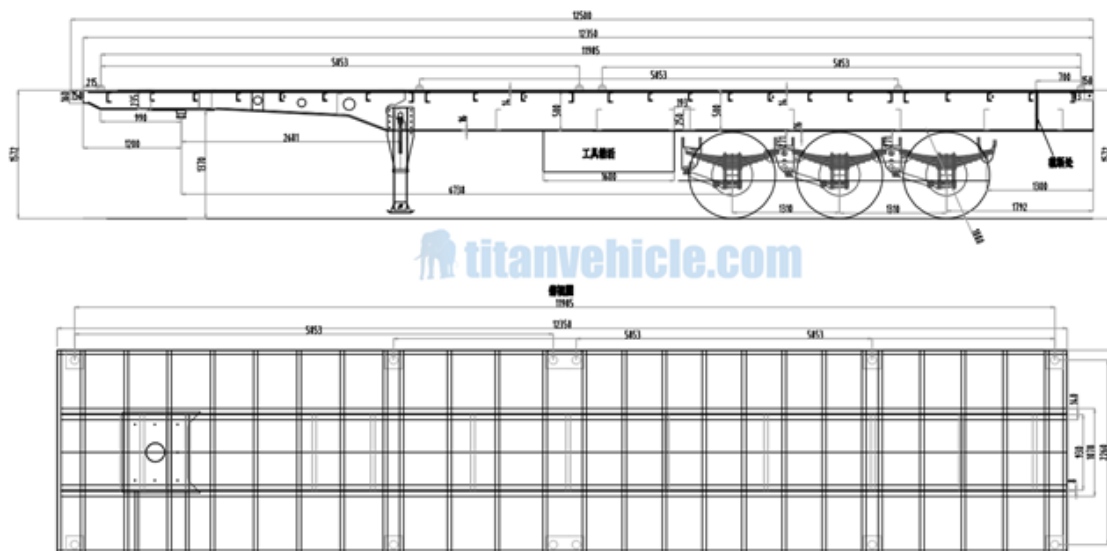
## 3.How to operate TITAN flatbed semi trailer--Loading containers with TITAN flatbed trailer

Before the high bed semi trailer are loaded into the container, the used turn lock head should be completely overlapped with the lock seat and fixed. Then the container is correctly placed on the semi trailer, and then the turn lock handle is turned lock the container vertically with the lock head and the lock seat. Before unloading the container, the turn lock should be turned to the position where the lock head overlaps with the lock seat and fixed, and the container can be removed only after it is confirmed that the container is not locked.

## 4. Basic Specifications of the Flatbed Trailer

Each **flatbed trailer** comes with its own load rating, size alongside other systems as would be needed for its use. These specifications are very useful in helping you buy the right trailer for your operations.

The tables below show key specifications of the 20ft and 40ft flatbed trailers respectively.



Container semi trailer

Model: 3 Axle Flatbed Truck Trailer

Transport: 20ft, 40ft container

Overall dimension: 12500mm \* 2500mm \* 1530mm

Axles: 3 axles , 13t

Suspension: Heavy duty mechanical suspension

Tire: 12 units

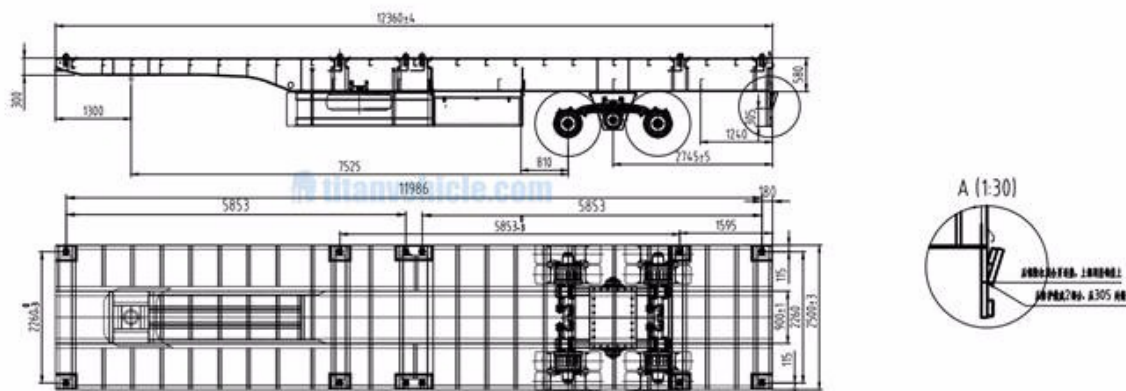
King pin: 90#

Laning gear: JOST

Brake system: WABCO

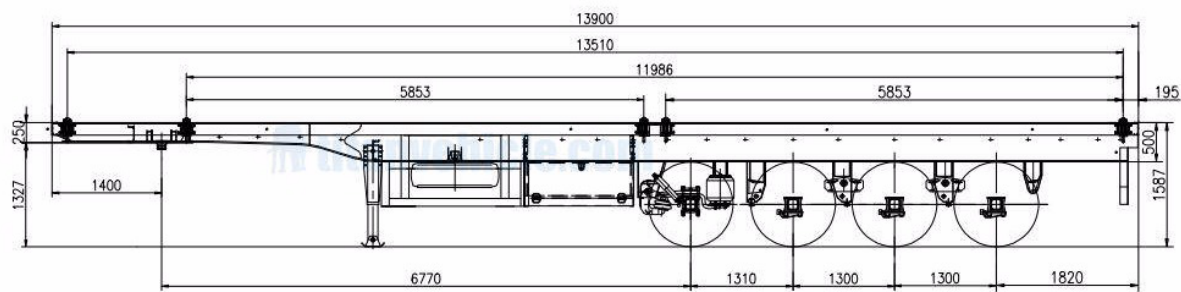
Electical system: 24V, LED lights

### More Technical Parameter Drawings

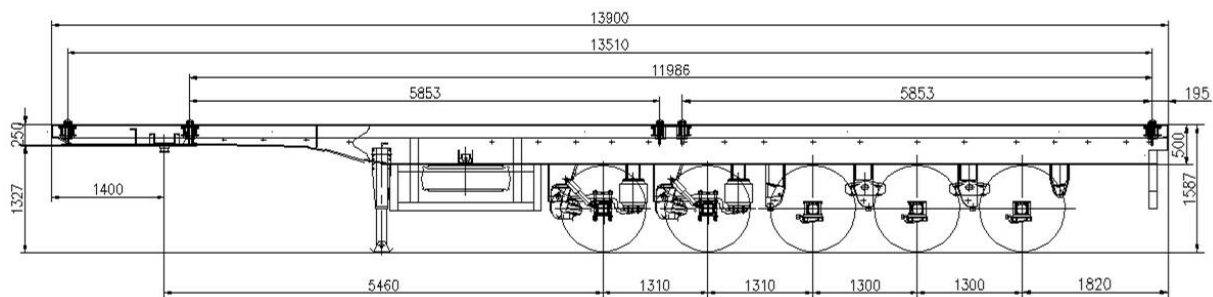




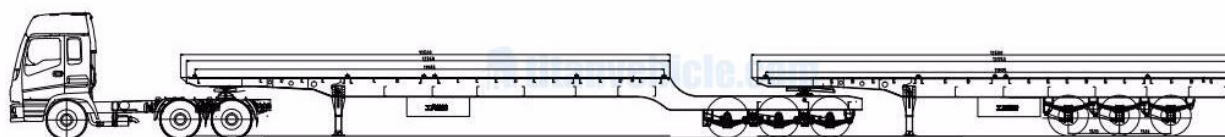
### 2 axle flatbed truck trailer with bogie suspension technical parameter



### 4 axle flat deck trailer with airbag suspension technical department



### 5 axle 45ft flatbed semi trailer technical specification



TITAN interlink flatbed trailer technical parameter drawing

## 5.TITAN flatbed semi trailer package and shipping

As a professional manufacturer, TITAN have provided many kinds of semi trailers for many countries, we have much more advantages in the flatbed trailers cost and quality control. All semi trailer will undergo rigorous testing before delivery to ensure the quality. We have professional technicians to operate. In addition, a layer of wax will be sprayed on the semi-trailer to prevent seawater erosion, and then a layer of rain cloth will be wrapped to prevent moisture, so that it is foolproof.



Semi truck flatbed trailer



## 6.Four kinds of common suspensions for flatbed container trailer

**Mechanical suspension:**The mechanical suspension is our common leaf spring. It is mainly composed of leaf spring, suspension support (commonly known as lifting ear), connecting rod, U-bolt and other parts. The longitudinal force of the body falls directly on an axle.It is reliable, and easy to maintain.

**Bogie suspension:**The bogie suspension is to reduce the common leaf spring front and rear brackets to a single bracket connected to the car body.Compared with ordinary leaf spring suspension, the bearing capacity of bogie suspension is bigger.

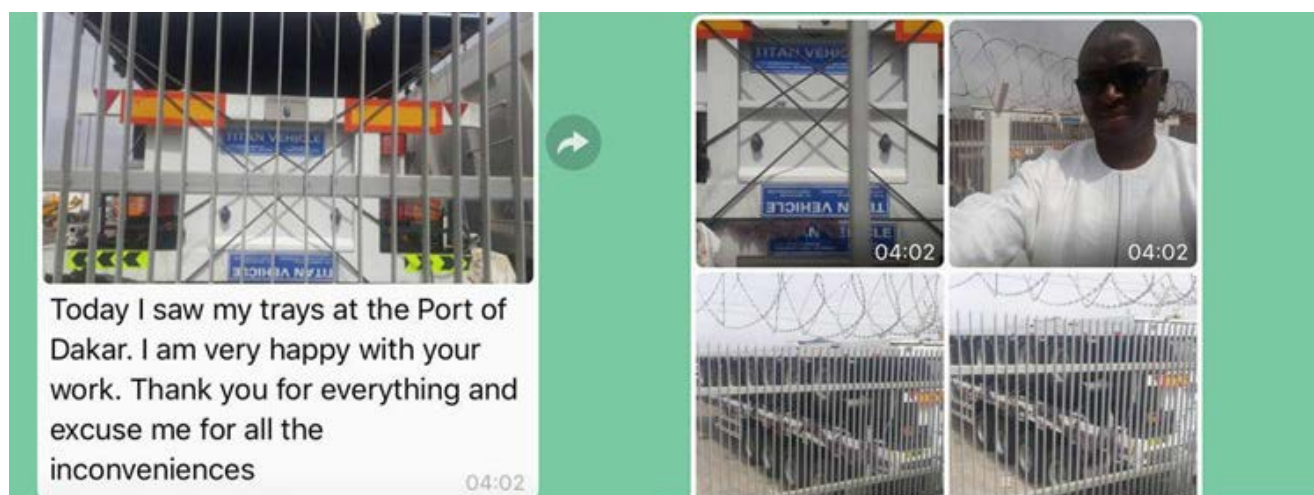
**Air suspension:**The most obvious feature of an air suspension is its airbag-type air spring. The weight of the air spring itself is relatively light, the air medium friction in the airbag is small, there is almost no noise during operation, and its life is 2-3 times that of the leaf spring.Air suspension for semi-trailers is mostly in high-end fields such as precision instrument transportation and hazardous chemical transportation.



Different types of *flatbed semi trailer*

## 7. TITAN flatbed semi trailer feedback from Senegal customers

After Senegal customers from visited our factory, We showed them around for visiting our semi trailer, which were designed in different colors and sizes. According to their own needs and requirements, they decided to order 3 set of 4 axles flatbed trailer from us, and paid some deposit immediately. And here are some pictures of 4 axles trailer bed which our Philippines customers received the trailer.



Customer received 4 axles flatbed semi trailer

### 1. What is the a flatbed semi trailer?

**Flatbed semi trailer** is usually used to transport 20ft or 40ft containers, they are mainly used for container transportation supporting ships, ports, shipping lanes, highways, transit stations, bridges, tunnels, and multimodal transport.

Use platform trailers to transfer cargo at the shipper's warehouse. Unloaded to the consignee's warehouse, when changing trailer or boat on the way, there is no need to take the goods out of the box and change them.

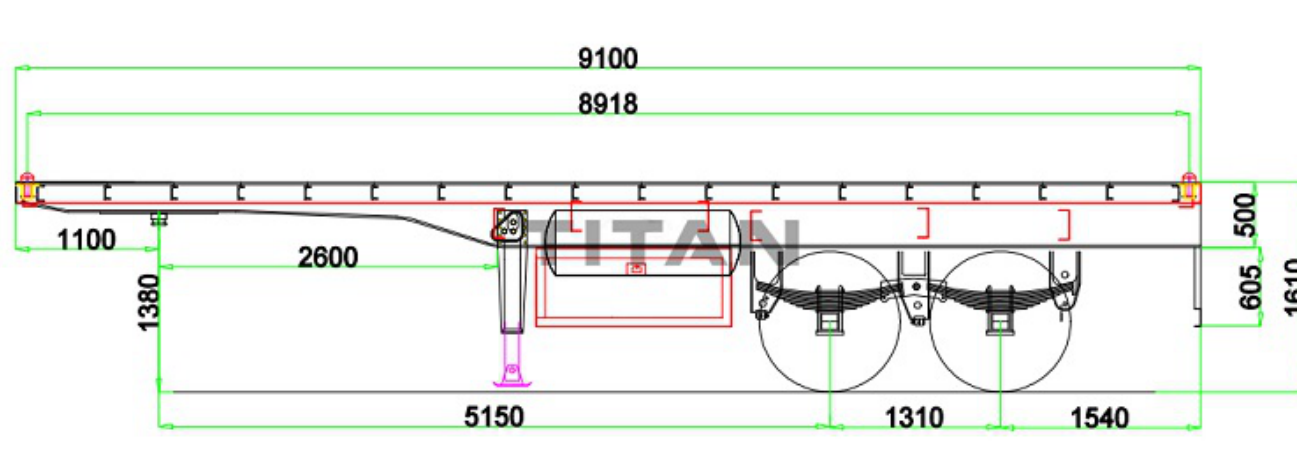
The size of the container trailer loading area is determined according to the standard container size. A twist lock device for fixing the container is provided at positions corresponding to the four corners of the bottom of the container. Flatbed trailers are a special trailers for transporting containers.

### 2. What is the common types of container carrier trailers?

Common **flat top semi trailer** has four types according to the number of axles, which are the 2 axle 40 foot flatbed semi trailers, 3 axle **40ft flatbed trailers**, 4 axles 40 foot flat platform truck trailer, and the single point suspension logistics trailer.

According to the different types of transport containers, there are 4 types, 20ft **container carrier trailer**, 40 foot shipping container trailer, 45ft commercial flat body trailer, and 20/40ft multi-purpose utility trailer.

we can also offer the 48ft, 53ft and other flatbed trailer sizes.



Flatbed semi trailer specification, sizes, height, dimensions drawing

### 3. Shipping of container flatbed trailers and marine transportation

When transporting flatbed trailers, many customers use container transportation, which has low transportation costs and short transportation time. But the bad thing is that the rear of the platform semi trailer needs to be composed.

Some customers are bulk carriers or ro-ro ships. Titan commercial flatbed trailers will spray wax and cover the tarpaulin when the



cargo ship is bulking.



## 4. Flatbed semi trailer buying guide

Container flatbed semi trailers can be produced by all factories. When choosing a supplier, many customers do not understand the differences between container flatbed.

The easiest way is to look at the weight. The heavier the weight of flatbed trailers, the better the quality. The tri axle flatbed trailers purchased by African customers self weighs is 7.1 tons. If the weight is only 6.5 tons, the cost of this trailer can save more than 1,000 dollars.

Here are a few more important points:

### 1. Working platform of container *flatbed semi-trailer*

The work platform is the main load-bearing part, which is composed of the main beam, side beam, cross beam, bottom floor, suspension and so on. The main beam should pay attention to whether the thickness is an international standard. The international standard for the main beam of a container flat semi trailer is 14/8/16 mm. The steel plate in the middle of the beam is made of Q345B manganese steel, the thickness is 8mm. Many unreliable suppliers will use 6mm main beam to save costs. But the carrying capacity was reduced by 26%.

### 2. Bottom floor of *flatbed container trailer*

Bottom Floor, many logistics trailer also can transport bulk cargo and other items. The bottom plate of the Titan high bed trailer passes the international standard 3mm thick checkered plate. If it use 2mm thick pattern plate or a 2.5mm bottom plate. It will cost less \$ 700. Tri axle equipment trailer weight limit is 60ton capacity.

### 3. Axle of *flatbed truck trailer*

The axles of semi trailers for sale have three types: 13-ton axles, 13-ton axles, and 16-ton brake system axles, 16-ton axles.

The axle of the TITAN container flatbed semi trailers is a 13-ton axle and 16-ton brake system axle, which has better braking performance and shortens the braking distance by more than 5 meters.

### 4. Tire of *flat deck trailer*

The 3 axle flatbed trailer uses a vacuum tire with better heat dissipation performance, the model is 12R22.5.

TITAN flatbed container uses custom made tires in a tire factory, wear-resistant tires. On Chinese highways, Titan tires can reach more than 300,000 kilometers.

### 5. Suspension of *container flatbed trailers*

TITAN flatbed trailers common mechanical suspension adopts special high strength steel. 6mm thickness. The center pin diameter is 70mm. Stronger than suspensions in many factories.

And we also have bogie suspension and airbag suspension for you to choose.



TITAN 2 axle flatbed semi trailer with bogie suspension

## 5. What is the manufacturing process of container flatbed semi-trailer?

1. Engineers provide drawings based on platform semi trailer data and customer requirements and then distributed the drawings to the workers in the production department.
2. According to the drawings of each part produced by the design department, use a CNC cutting machine to cut each part, such as the steel plate for the main beam and the reinforcing plate.
3. Welded container flatbed semi trailers work platform, welded side beams, main beams, welded kingpins, welded suspension, welded bottom floor.
4. Flatbed trailers derusting, frosting, spraying primer, spraying paint, wax spraying; installing axles; installing tires.
5. Print VIN code, waiting for packing.

## 6. How to load and securing a shipping container on a flatbed?

You can use container tipping tilt chassis trailer, it can load by self.

You can use container side loader trailer.

You can use container lift fork.

**Welcome to leave your inquiry!**

**We will meet the acme of perfection to serve and provide more details, price, catalog, drawing, videos for you!**

## Feedback

Name\*

Message

Email\*

Phone



Verification Code\*



## COME AND FOLLOWS US

[Like us on Facebook](#)

[Manager's facebook](#)

[Follow us on LinkedIn](#)

[Follow us on Youtube](#)

## INFORMATION

[About Us](#)

[Case](#)

[Technology](#)

[Video](#)

**TITAN- Quality First , Service Oriented  
Shandong Titan Vehicle Co.,Ltd**

Tel/Fax: +86-531-88997626

E-mail: [sales@titanvehicle.com](mailto:sales@titanvehicle.com);

Phone/whatsapp : +8613064064064 Hero

Add: Jinan City, Shandong , China

[YOUTUBE](#) [FACEBOOK](#) [LINKEDIN](#)

FOLLOW US ON SOCIAL MEDIA